

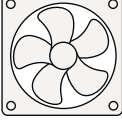





FURNITURE AFTERCARE INSTRUCTIONS

As with all wooden furniture, this product should be treated with care.

We recommend...	Please DO NOT...
 <p>Wipe away any water splashes or condensation after use. Excessive exposure to water will deteriorate the furniture.</p>	 <p>Do not scrub or scour</p>
 <p>All bathrooms should be well ventilated with a suitable extractor fan.</p>	 <p>Do not use abrasive cleaning agents</p>
 <p>Clean with a soft damp cloth only.</p>	
 <p>For removal of lime scale deposits use a suitable proprietary cleaner. If necessary test on an inconspicuous area first.</p>	

Replacement Components

Should you require any replacement components for this product please contact Roper Rhodes using the contact details below.

INSTALLATION & FITTING INSTRUCTIONS

Before you start

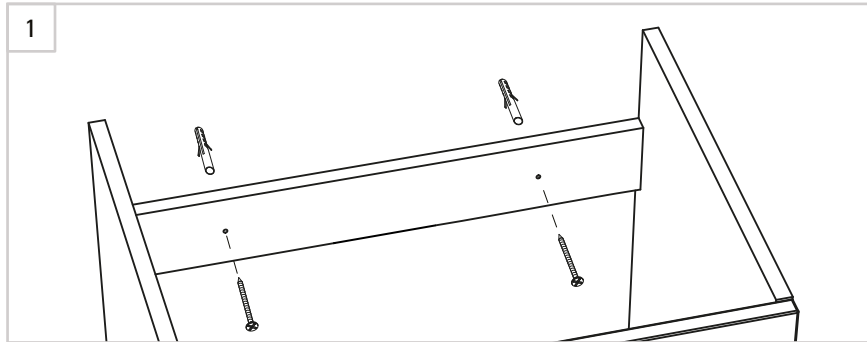
Wear suitable eye protection when drilling. Take care when using power tools near water - the use of a residual current device (RCD) is recommended. Beware of hidden pipes or cables. Take care when drilling tiled surfaces as the drill might slip. Use a piece of masking tape to prevent the drill from wandering.

The unit and basin are secured to a suitably strong / reinforced wall to ensure stability. Fix in place following instructions on page 2. If in any doubt please consult an expert.

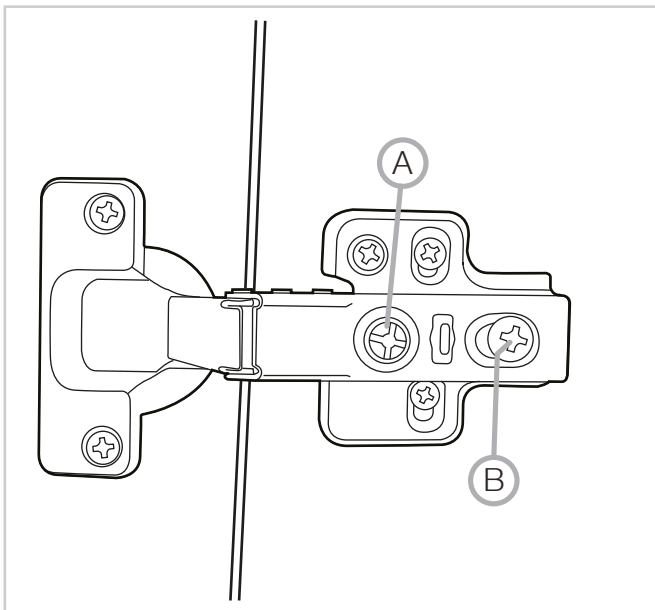
FLOOR MOUNTED UNITS

FIXING TO THE WALL

To secure the floor mounted units to the wall use the provided kit to screw the unit through the back top brace.

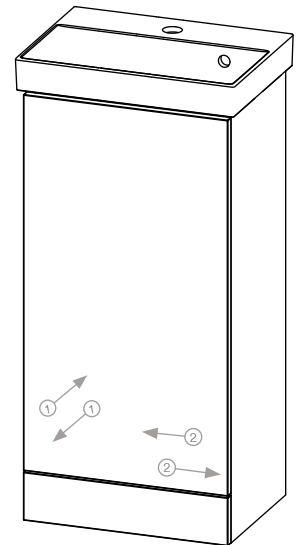


HINGE ADJUSTMENT



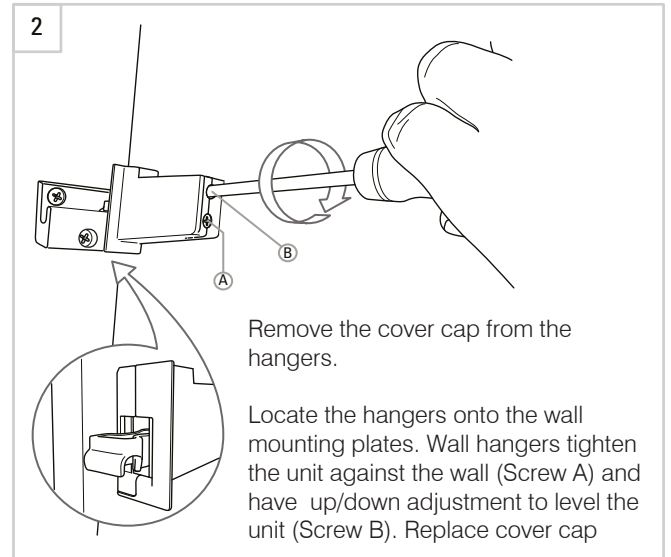
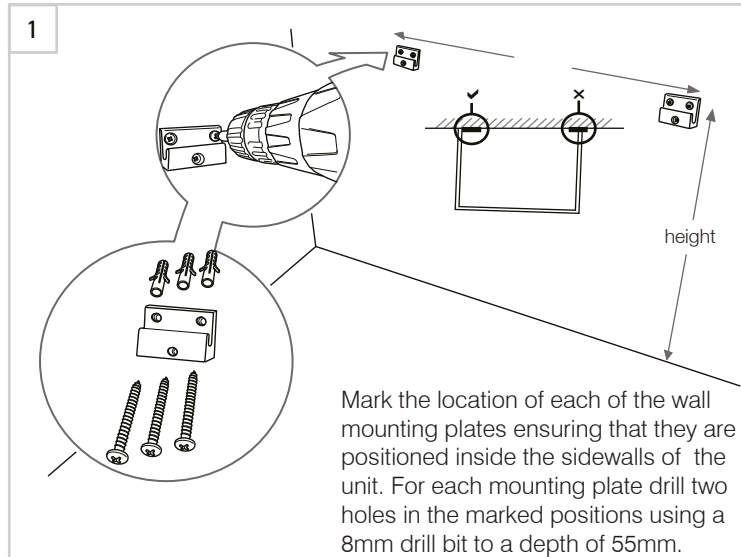
To make adjustment 1
simply turn screw B

To make adjustment 2
simply turn screw A

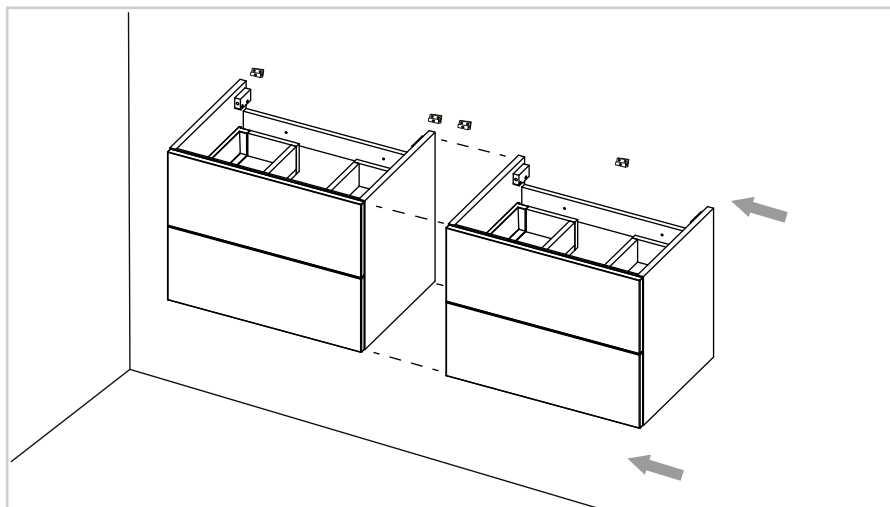


WALL MOUNTED UNITS

HINGE ADJUSTMENT

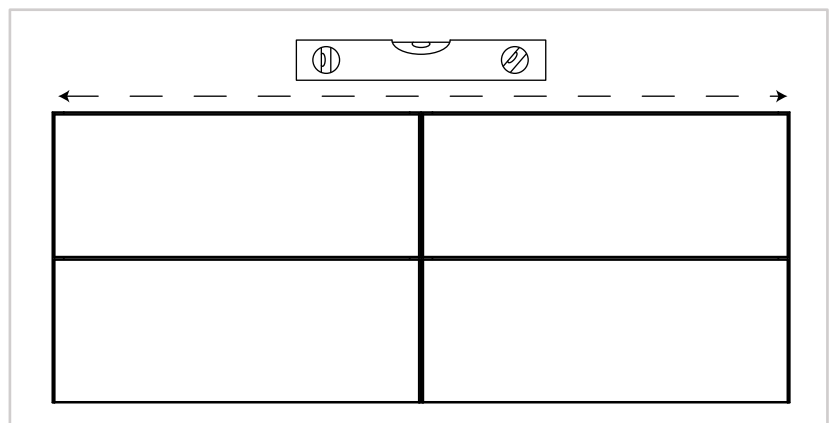


1200 WALL MOUNTED ASSEMBLY



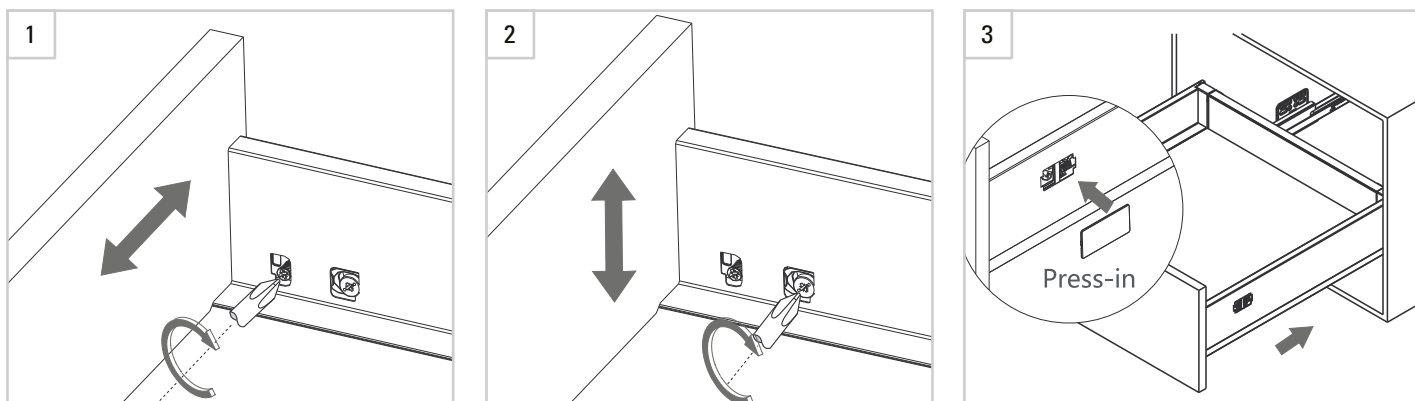
- 1 Hang the first 600mm unit to the wall using the same method as above whilst taking into consideration space needed for the second unit.
- 2 Hang and apply the second unit.

- 3 Use a level when applying two 600mm wall units together to form 1200mm assembly. In doing so, this will ensure drawer alignment as well as an even and correct fit of the 1200mm isocast basin.
- 4 Tighten wall hanging mechanisms to ensure tight fit to the wall.
- 5 Using a clamp and fixings provided, fix both units together by screwing through side panels for a secure and permanent fit.



ADJUSTING DRAWER FASCIA

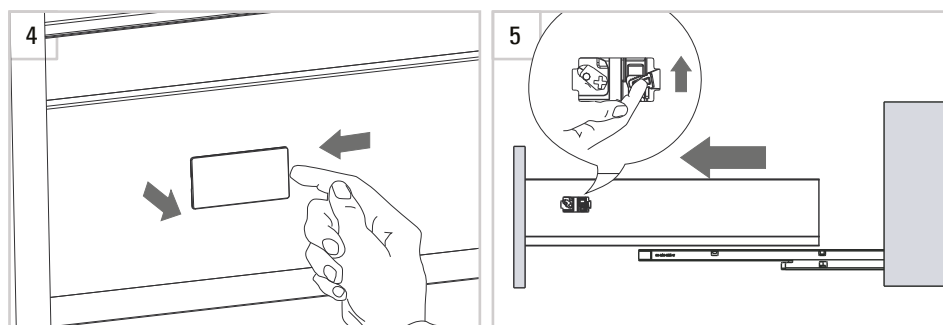
Fascias may require adjustment for correct alignment. This is achieved with the adjusting mechanisms under the interior covercap.



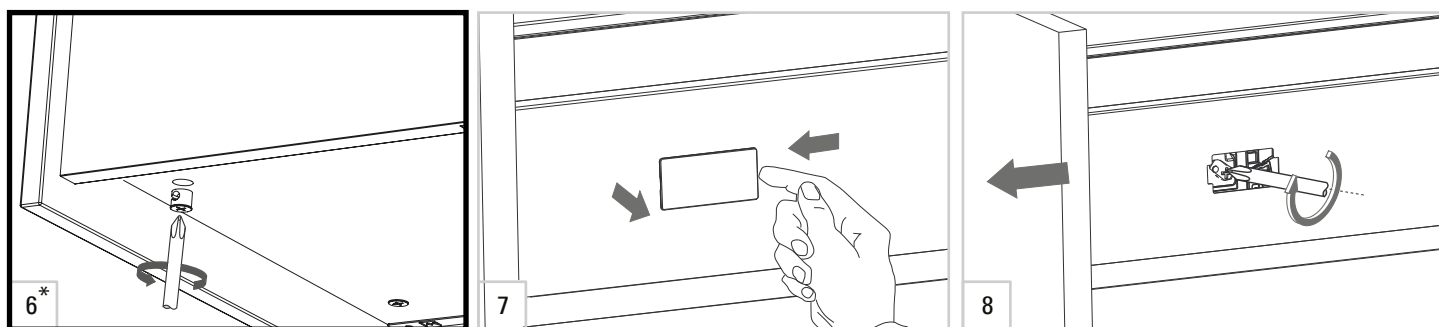
REMOVING DRAWER & FASCIA

The drawer can be removed and if faulty the drawer fascia can be removed and replaced uncovering the mechanism on the outside of the drawer side.

To remove drawer



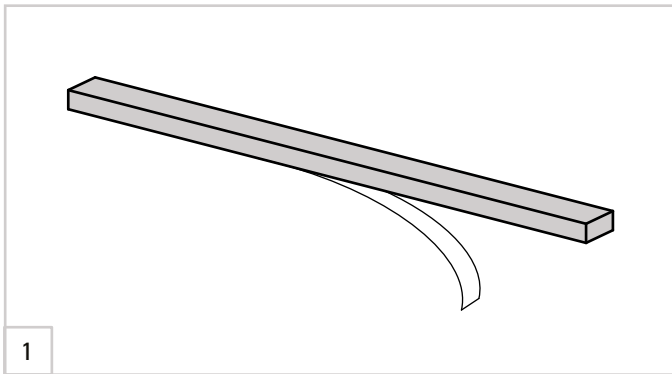
To remove fascia



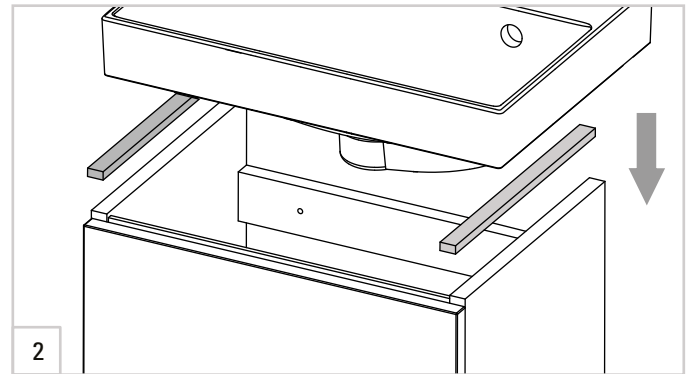
***Ensure to release CAM Bolt on bottom face of drawer before releasing using mechanism. Do so by turning CAM head anti-clockwise to loosen.**

For larger units, fixings on bracket will also need to be removed to ensure full release of fascia panel.

FITTING BASINS

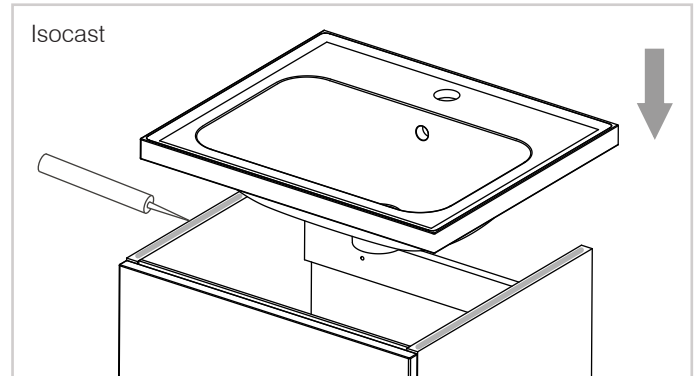
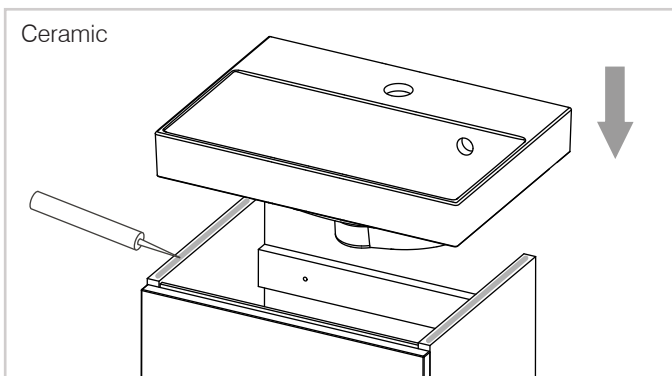


1
 When using a Ceramic basin, it is required to use rubber extrusion supplied in fixing pack. To apply rubber extrusion to top edge of side panel, remove 3M seal and apply.



2
 Ensure rubber extrusion is applied to the unit prior to siliconging.

This component is not required for isocast basins



Once the basin is plumbed in finish by securing to the washstand with a silicone sealant (not supplied).

INSTALLING HANDLES

- 1 Remove the drawer as per instructions (5 to 9 on previous page)
- 2 Included in the box is a template for fixing the handles at our recommended heights.
- 3 Tape this in place in the centre of the front of the drawer front and mark the locations of the relevant handle holes.
- 4 Clamp a piece of wood on the back of the drawer (being careful not to damage the front) and drill through carefully from the front. See figure 10.
- 5 Screw handles into place.
- 6 Re-install drawers ensuring that the drawer box clicks back into place.

